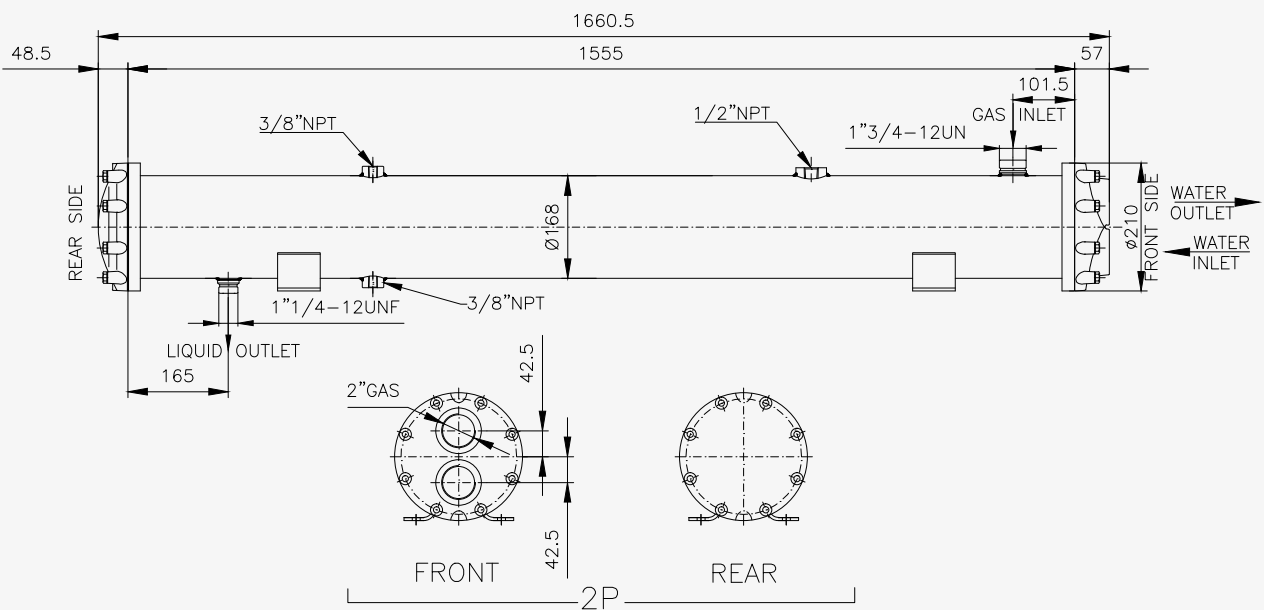


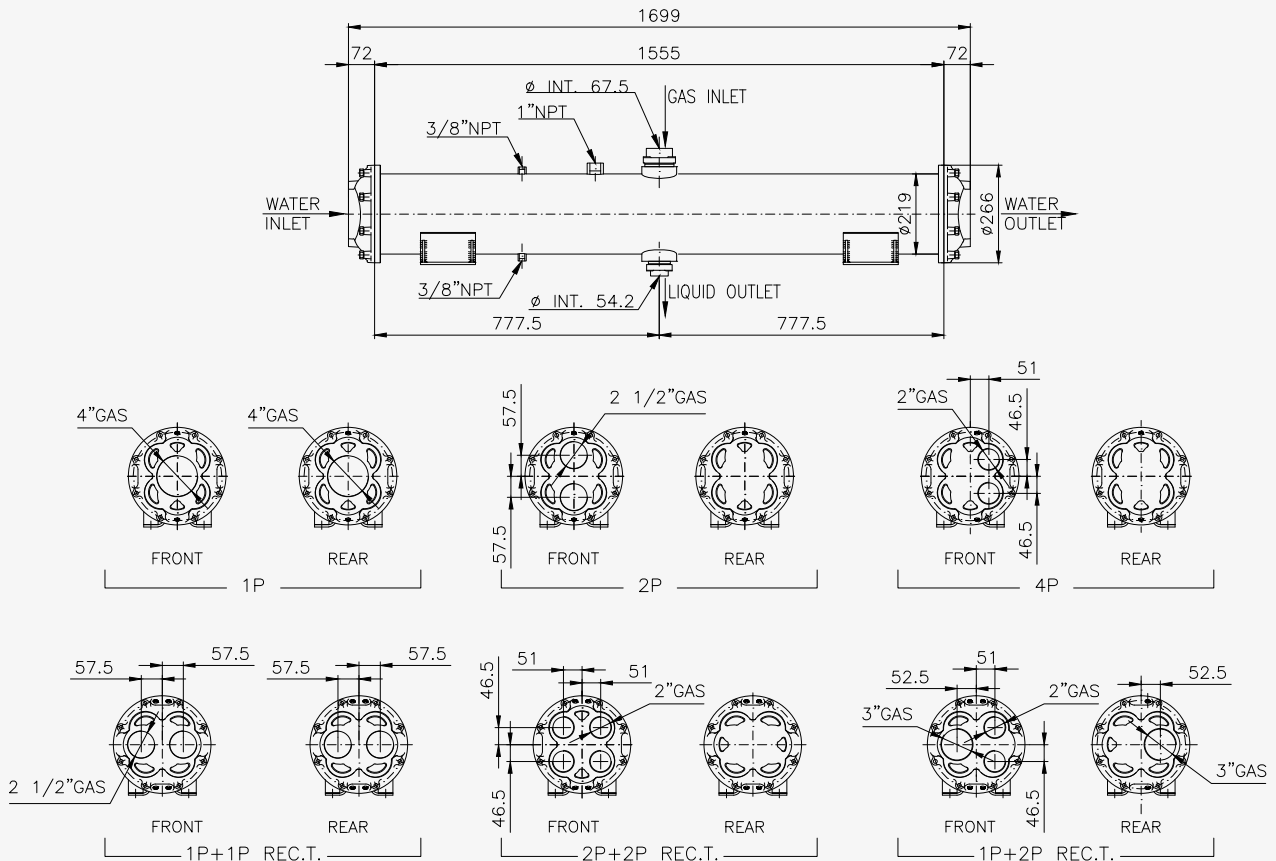
		Tcond = 40°C		Water IN/OUT = 30/35°C		SC = 3 K		F.F. = 0.016m²K/kW	
CB Model	R134a Capacity kW	R407C Capacity kW	R410A Capacity kW	R22 Capacity kW	Volume gas dm³	Volume H₂O dm³	Weight kg		
CB1615008	40	29	41	41	26	4	71		
CB1615010	51	52	52	52	25	5	72		
CB1615012	62	64	63	64	24	6	74		
CB1615014	73	75	74	75	24	6	75		
CB1615016	84	86	85	86	23	7	76		
CB1615018	95	97	96	97	22	8	78		
CB1615020	105	109	107	109	21	9	79		
CB1615022	116	120	118	120	20	10	81		
CB1615024	127	131	129	131	19	11	82		
CB1615026	138	142	140	142	19	11	83		
CB1615028	149	154	151	154	18	12	85		
CB1615030	160	165	162	165	17	13	86		

\* Please contact technical dept. at PROVIDES S.r.l. for more info



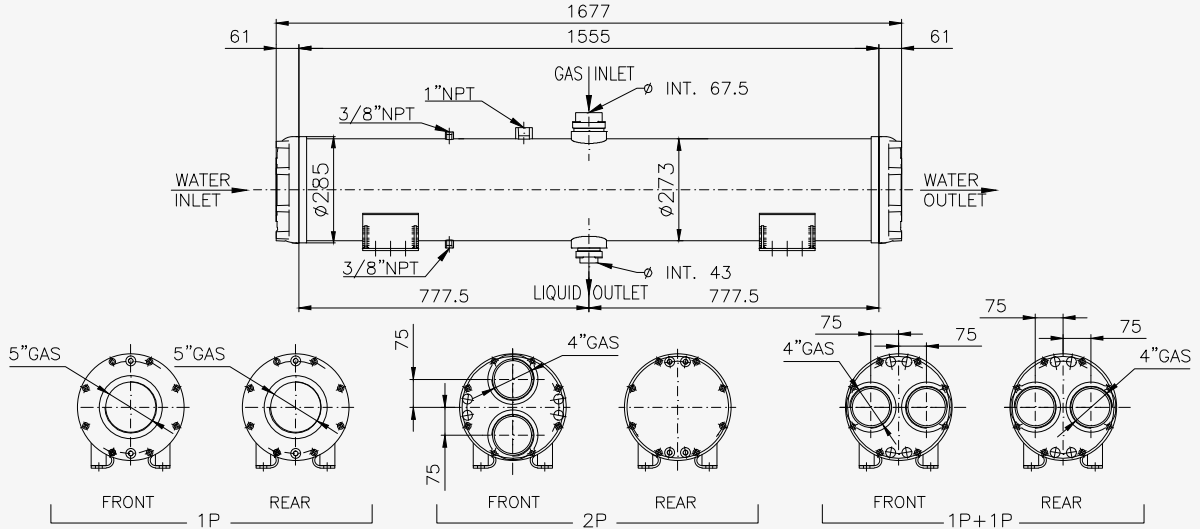
		Tcond = 40°C		Water IN/OUT = 30/35°C		SC = 3 K		F.F. = 0.016m²K/kW	
CB Model	R134a Capacity kW	R407C Capacity kW	R410A Capacity kW	R22 Capacity kW	Volume gas dm³	Volume H <sub>2</sub> O dm³	Weight kg		
CB2115018	95	68	96	98	44	10	148		
CB2115020	106	109	108	109	43	11	149		
CB2115022	117	121	119	121	42	12	151		
CB2115024	128	132	130	132	42	12	152		
CB2115026	139	143	141	143	41	13	154		
CB2115028	150	155	152	155	40	14	155		
CB2115030	161	166	163	166	39	15	156		
CB2115032	172	177	175	177	38	15	158		
CB2115034	183	189	186	189	37	16	159		
CB2115036	194	200	197	200	37	17	161		
CB2115038	205	211	208	211	36	18	162		
CB2115040	216	223	219	223	35	18	164		
CB2115042	227	234	230	234	34	19	165		
CB2115044	238	245	242	245	33	20	166		
CB2115046	249	257	253	257	32	21	168		
CB2115048	260	268	264	268	32	21	169		
CB2115050	271	279	275	279	31	22	171		
CB2115052	282	291	286	291	30	23	172		

\* Please contact technical dept. at PROVIDES S.r.l. for more info

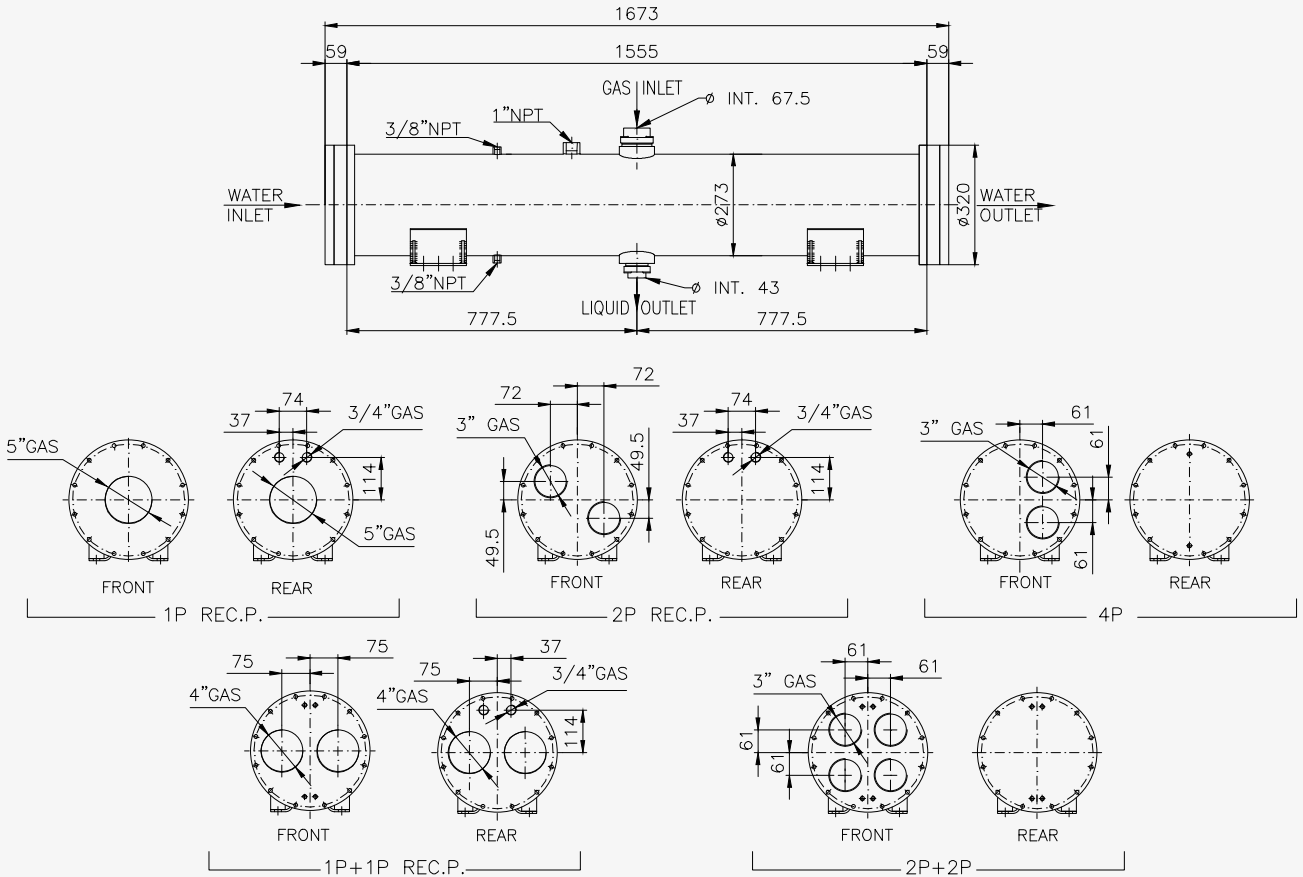


Tcond = 40°C      Water IN/OUT = 30/35°C      SC = 3 K      F.F. = 0.016m²K/kW							
CB Model	R134a Capacity kW	R407C Capacity kW	R410A Capacity kW	R22 Capacity kW	Volume gas dm³	Volume H <sub>2</sub> O dm³	Weight kg
CB2715026	140	100	142	144	70	15	164
CB2715028	151	108	153	156	69	16	165
CB2715030	162	116	164	167	68	17	167
CB2715032	173	123	175	178	67	17	168
CB2715034	184	131	187	189	67	18	170
CB2715036	195	139	198	201	66	19	171
CB2715038	206	147	209	212	65	20	172
CB2715040	217	155	220	223	64	20	174
CB2715042	228	163	231	235	63	21	175
CB2715044	238	170	242	246	62	22	177
CB2715046	249	178	253	257	62	23	178
CB2715048	260	186	264	268	61	23	179
CB2715050	271	194	275	280	60	24	181
CB2715052	282	202	286	291	59	25	182
CB2715054	293	209	298	302	58	26	184
CB2715056	304	217	309	313	57	26	185
CB2715058	315	225	320	325	57	27	187
CB2715060	326	233	331	336	56	28	188
CB2715062	337	241	342	347	55	29	189
CB2715064	348	248	353	359	54	29	191
CB2715066	359	256	364	370	53	30	192
CB2715068	370	264	375	381	52	31	194
CB2715070	381	272	386	392	51	32	195
CB2715072	392	280	398	404	51	32	196
CB2715074	403	288	409	415	50	33	198
CB2715076	413	295	420	426	49	34	199
CB2715078	424	303	431	438	48	35	201
CB2715080	435	311	442	449	47	35	202
CB2715082	446	319	453	460	46	36	203
CB2715084	457	327	464	471	46	37	205
CB2715086	468	334	475	483	45	38	206
CB2715088	479	342	486	494	44	38	208
CB2715090	490	350	497	505	43	39	209

\* Please contact technical dept. at PROVIDES S.r.l. for more info



ALTERNATIVE CARBON STEEL HEADER

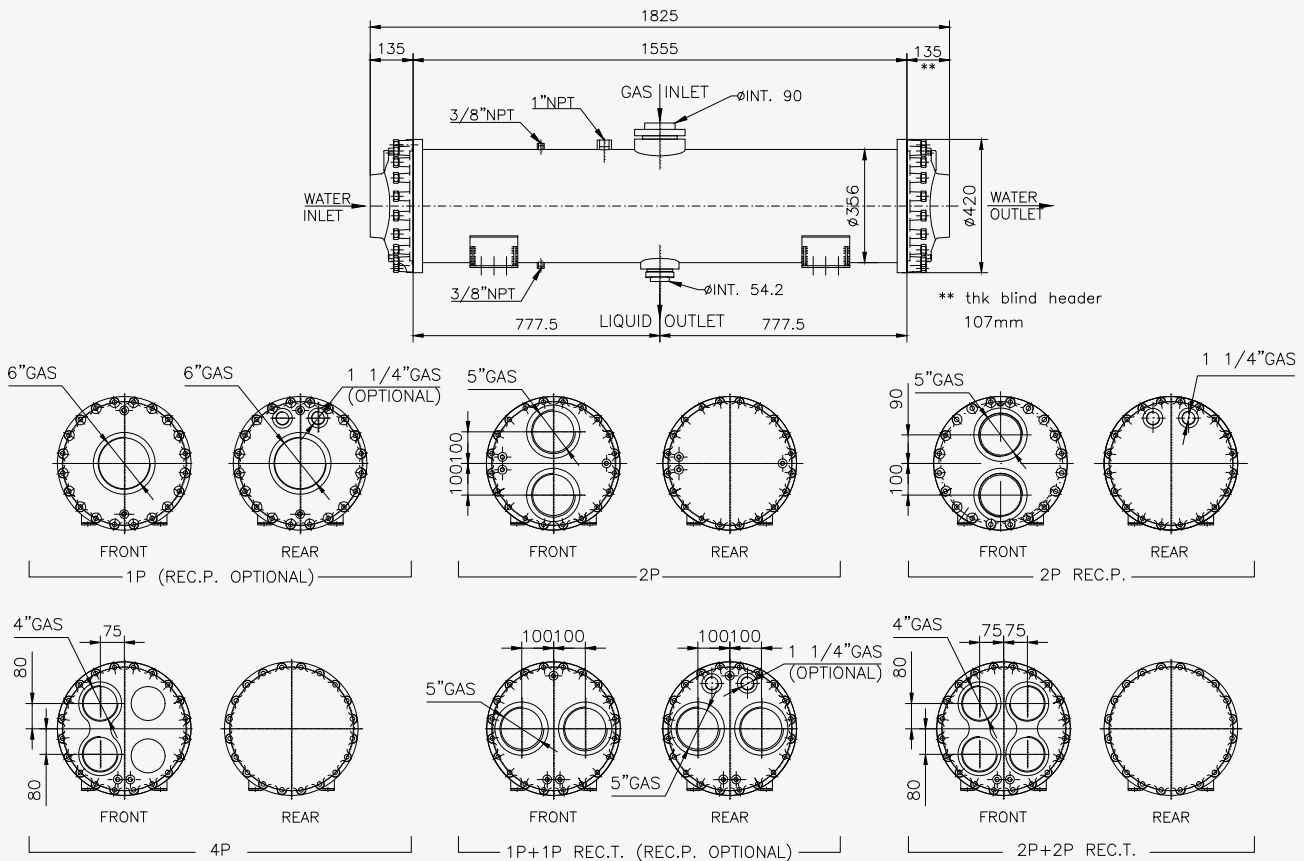


Tcond = 40°C      Water IN/OUT = 30/35°C      SC = 3 K      F.F. = 0.016m²K/kW							
CB Model	R134a Capacity kW	R407C Capacity kW	R410A Capacity kW	R22 Capacity kW	Volume gas dm³	Volume H <sub>2</sub> O dm³	Weight kg
CB3515048	263	188	267	271	117	32	452
CB3515050	274	196	278	282	116	33	453
CB3515052	285	203	289	293	115	33	455
CB3515054	295	211	300	305	114	34	456
CB3515056	306	219	311	316	114	35	457
CB3515058	317	226	322	327	113	36	458
CB3515060	328	234	333	338	112	36	460
CB3515062	339	242	344	349	111	37	461
CB3515064	349	250	355	360	110	38	462
CB3515066	360	257	366	371	109	39	463
CB3515068	371	265	377	383	109	39	465
CB3515070	382	273	388	394	108	40	466
CB3515072	393	280	399	405	107	41	467
CB3515074	403	288	410	416	106	42	469
CB3515076	414	296	421	427	105	42	470
CB3515078	425	304	432	438	104	43	471
CB3515080	436	311	443	449	104	44	472
CB3515082	447	319	453	460	103	45	474
CB3515084	457	327	464	472	102	45	475
CB3515086	468	334	475	483	101	46	476
CB3515088	479	342	486	494	100	47	477
CB3515090	490	350	497	505	99	48	479
CB3515092	501	358	508	516	98	48	480
CB3515094	511	365	519	527	98	49	481
CB3515096	522	373	530	538	97	50	483
CB3515098	533	381	541	550	96	51	484
CB3515100	544	389	552	561	95	51	485
CB3515102	555	396	563	572	94	52	486
CB3515104	566	404	574	583	93	53	488
CB3515106	576	412	585	594	93	54	489
CB3515108	587	419	596	605	92	54	490
CB3515110	598	427	607	616	91	55	492
CB3515112	609	435	618	628	90	56	493
CB3515114	620	443	629	639	89	57	494
CB3515116	630	450	640	650	88	57	495
CB3515118	641	458	651	661	87	58	497
CB3515120	652	466	662	672	87	59	498
CB3515122	663	473	673	683	86	60	499
CB3515124	674	481	684	694	85	60	500
CB3515126	684	489	695	706	84	61	502
CB3515128	695	497	706	717	83	62	503
CB3515130	706	504	717	728	82	63	504

\* Please contact technical dept. at PROVIDES S.r.l. for more info

Tcond = 40°C      Water IN/OUT = 30/35°C      SC = 3 K      F.F. = 0.016m²K/kW							
CB Model	R134a Capacity kW	R407C Capacity kW	R410A Capacity kW	R22 Capacity kW	Volume gas dm³	Volume H₂O dm³	Weight kg
CB3515132	717	512	728	739	82	63	506
CB3515134	728	520	739	750	81	64	507
CB3515136	738	527	750	761	80	65	508
CB3515138	749	535	761	772	79	66	509
CB3515140	760	543	772	783	78	66	511
CB3515142	771	551	783	795	77	67	512
CB3515144	782	558	793	806	77	68	513
CB3515146	792	566	804	817	76	69	514
CB3515148	803	574	815	828	75	69	516
CB3515150	814	581	826	839	74	70	517

\* Please contact technical dept. at PROVIDES S.r.l. for more info



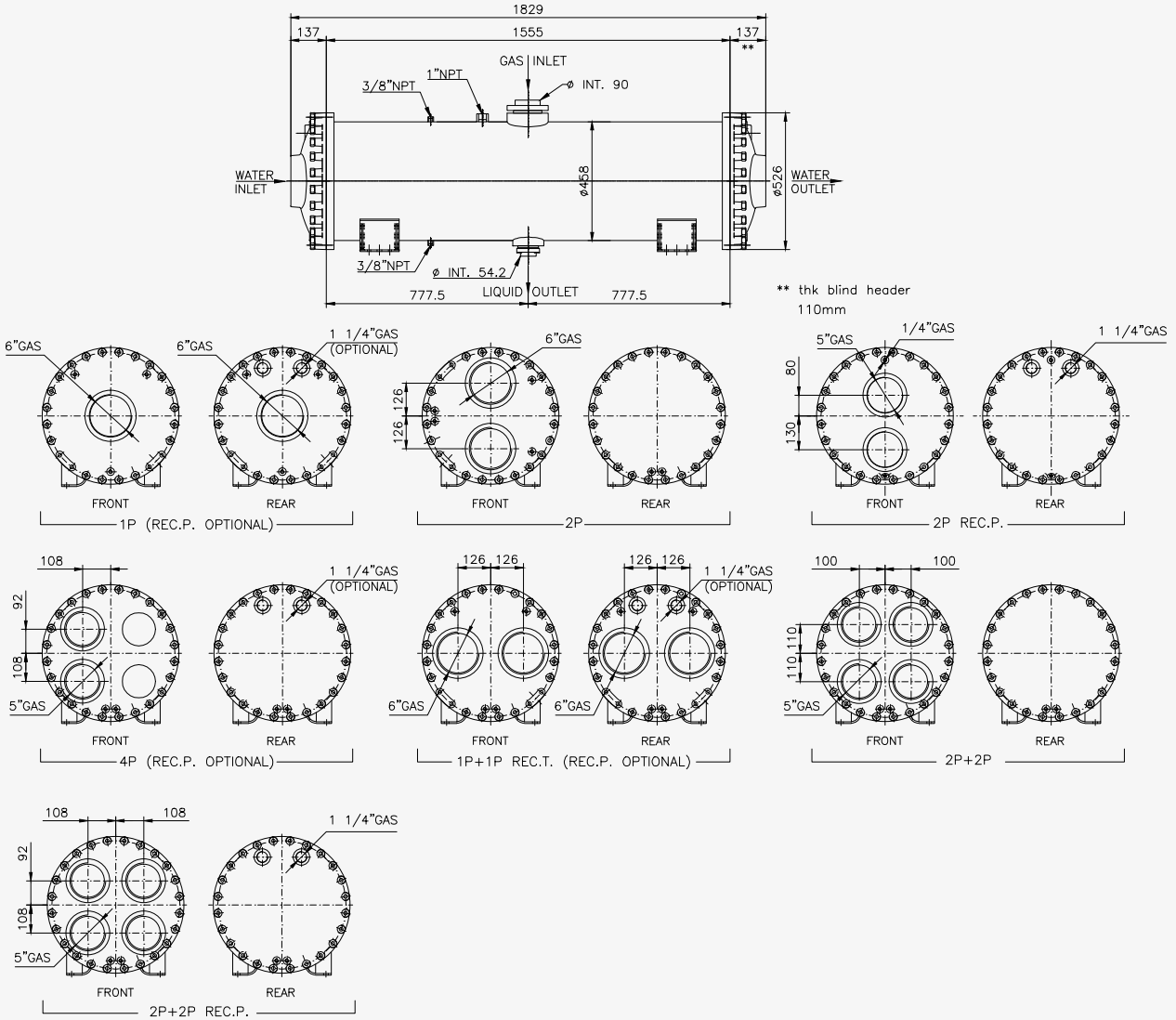
Tcond = 40°C      Water IN/OUT = 30/35°C      SC = 3 K      F.F. = 0.016m²K/kW							
CB Model	R134a Capacity kW	R407C Capacity kW	R410A Capacity kW	R22 Capacity kW	Volume gas dm³	Volume H <sub>2</sub> O dm³	Weight kg
CB4515112	612	437	621	631	179	63	516
CB4515114	622	444	631	641	178	64	517
CB4515116	631	451	641	651	177	64	518
CB4515118	641	458	651	661	177	65	519
CB4515120	651	465	661	671	176	66	521
CB4515122	660	472	670	681	175	66	522
CB4515124	670	479	680	691	174	67	523
CB4515126	680	486	690	701	174	68	524
CB4515128	689	492	700	711	173	68	525
CB4515130	699	499	710	721	172	69	526
CB4515132	709	506	720	731	171	70	528
CB4515134	718	513	729	741	171	71	529
CB4515136	728	520	739	751	170	71	530
CB4515138	738	527	749	761	169	72	531
CB4515140	747	534	759	771	168	73	532
CB4515142	757	541	769	781	168	73	533
CB4515144	767	548	778	791	167	74	535
CB4515146	776	555	788	800	166	75	536
CB4515148	786	562	798	810	165	75	537
CB4515150	796	568	808	820	165	76	538
CB4515152	805	575	818	830	164	77	539
CB4515154	815	582	828	840	163	77	540
CB4515156	825	589	837	850	162	78	541
CB4515158	835	596	847	860	162	79	543
CB4515160	844	603	857	870	161	79	544
CB4515162	854	610	867	880	160	80	545
CB4515164	864	617	877	890	159	81	546
CB4515166	873	624	887	900	159	82	547
CB4515168	883	631	896	910	158	82	548
CB4515170	893	638	906	920	157	83	550
CB4515172	902	644	916	930	156	84	551
CB4515174	912	651	926	940	155	84	552
CB4515176	922	658	936	950	155	85	553
CB4515178	931	665	945	960	154	86	554
CB4515180	941	672	955	970	153	86	555
CB4515182	951	679	965	980	152	87	556
CB4515184	960	686	975	990	152	88	558
CB4515186	970	693	985	1000	151	88	559
CB4515188	980	700	995	1010	150	89	560
CB4515190	989	707	1004	1020	149	90	561
CB4515192	999	714	1014	1030	149	90	562
CB4515194	1009	720	1024	1040	148	91	563

\* Please contact technical dept. at PROVIDES S.r.l. for more info

Tcond = 40°C      Water IN/OUT = 30/35°C      SC = 3 K      F.F. = 0.016m²K/kW							
CB Model	R134a Capacity kW	R407C Capacity kW	R410A Capacity kW	R22 Capacity kW	Volume gas dm³	Volume H <sub>2</sub> O dm³	Weight kg
CB4515196	1018	727	1034	1050	147	92	565
CB4515198	1028	734	1044	1060	146	93	566
CB4515200	1038	741	1053	1070	146	93	567
CB4515202	1047	748	1063	1080	145	94	568
CB4515204	1057	755	1073	1090	144	95	569
CB4515206	1067	762	1083	1100	143	95	570
CB4515208	1076	769	1093	1110	143	96	572
CB4515210	1086	776	1103	1120	142	97	573
CB4515212	1096	783	1112	1130	141	97	574
CB4515214	1105	790	1122	1140	140	98	575
CB4515216	1115	796	1132	1150	140	99	576
CB4515218	1125	803	1142	1160	139	99	577
CB4515220	1134	810	1152	1170	138	100	578
CB4515222	1144	817	1162	1179	137	101	580
CB4515224	1154	824	1171	1189	136	101	581
CB4515226	1163	831	1181	1199	136	102	582
CB4515228	1173	838	1191	1209	135	103	583
CB4515230	1183	845	1201	1219	134	104	584
CB4515232	1192	852	1211	1229	133	104	585
CB4515234	1202	859	1220	1239	133	105	587
CB4515236	1212	866	1230	1249	132	106	588
CB4515238	1222	873	1240	1259	131	106	589
CB4515240	1231	879	1250	1269	130	107	590
CB4515242	1241	886	1260	1279	130	108	591
CB4515244	1251	893	1270	1289	129	108	592
CB4515246	1260	900	1279	1299	128	109	593
CB4515248	1270	907	1289	1309	127	110	595
CB4515250	1280	914	1299	1319	127	110	596
CB4515252	1289	921	1309	1329	126	111	597
CB4515254	1299	928	1319	1339	125	112	598
CB4515256	1309	935	1329	1349	124	112	599
CB4515258	1318	942	1338	1359	124	113	600
CB4515260	1328	949	1348	1369	123	114	602
CB4515262	1415	1011	1437	1459	116	120	612

\* Please contact technical dept. at PROVIDES S.r.l. for more info





Tcond = 40°C      Water IN/OUT = 30/35°C      SC = 3 K      F.F. = 0.016m²K/kW							
CB Model	R134a Capacity kW	R407C Capacity kW	R410A Capacity kW	R22 Capacity kW	Volume gas dm³	Volume H₂O dm³	Weight kg
CB6115240	1300	929	1320	1340	301	183	872
CB6115242	1311	936	1331	1352	300	184	873
CB6115244	1322	944	1342	1363	299	185	874
CB6115246	1333	952	1353	1374	299	185	876
CB6115248	1344	960	1364	1385	298	186	877
CB6115250	1355	968	1375	1397	297	187	878
CB6115252	1366	976	1387	1408	296	188	879
CB6115254	1377	983	1398	1419	295	188	880
CB6115256	1388	991	1409	1431	294	189	881
CB6115258	1399	999	1420	1442	294	190	883
CB6115260	1410	1007	1431	1453	293	191	884
CB6115262	1421	1015	1442	1465	292	191	885
CB6115264	1432	1023	1453	1476	291	192	886
CB6115266	1443	1030	1465	1487	290	193	887
CB6115268	1454	1038	1476	1499	289	194	889
CB6115270	1465	1046	1487	1510	289	194	890
CB6115272	1476	1054	1498	1521	288	195	891
CB6115274	1487	1062	1509	1533	287	196	892
CB6115276	1498	1070	1520	1544	286	197	893
CB6115278	1508	1077	1531	1555	285	197	894
CB6115280	1519	1085	1543	1566	284	198	896
CB6115282	1530	1093	1554	1578	284	199	897
CB6115284	1541	1101	1565	1589	283	200	898
CB6115286	1552	1109	1576	1600	282	200	899
CB6115288	1563	1117	1587	1612	281	201	900
CB6115290	1574	1125	1598	1623	280	202	902
CB6115292	1585	1132	1609	1634	279	203	903
CB6115294	1596	1140	1621	1646	279	203	904
CB6115296	1607	1148	1632	1657	278	204	905
CB6115298	1618	1156	1643	1668	277	205	906
CB6115300	1629	1164	1654	1680	276	206	907
CB6115302	1640	1172	1665	1691	275	206	909
CB6115304	1651	1179	1676	1702	274	207	910
CB6115306	1662	1187	1687	1713	274	208	911
CB6115308	1673	1195	1699	1725	273	209	912
CB6115310	1684	1203	1710	1736	272	209	913
CB6115312	1695	1211	1721	1747	271	210	915
CB6115314	1706	1219	1732	1759	270	211	916
CB6115316	1717	1226	1743	1770	269	212	917
CB6115318	1728	1234	1754	1781	269	213	918
CB6115320	1739	1242	1765	1793	268	213	919
CB6115322	1750	1250	1777	1804	267	214	920

\* Please contact technical dept. at PROVIDES S.r.l. for more info

Tcond = 40°C      Water IN/OUT = 30/35°C      SC = 3 K      F.F. = 0.016m²K/kW							
CB Model	R134a Capacity kW	R407C Capacity kW	R410A Capacity kW	R22 Capacity kW	Volume gas dm³	Volume H <sub>2</sub> O dm³	Weight kg
CB6115324	1761	1258	1788	1815	266	215	922
CB6115326	1772	1266	1799	1827	265	216	923
CB6115328	1783	1273	1810	1838	264	216	924
CB6115330	1794	1281	1821	1849	264	217	925
CB6115332	1805	1289	1832	1861	263	218	926
CB6115334	1816	1297	1843	1872	262	219	927
CB6115336	1827	1305	1854	1883	261	219	929
CB6115338	1838	1313	1866	1894	260	220	930
CB6115340	1849	1320	1877	1906	259	221	931
CB6115342	1860	1328	1888	1917	259	222	932
CB6115344	1871	1336	1899	1928	258	222	933
CB6115346	1882	1344	1910	1940	257	223	935
CB6115348	1893	1352	1921	1951	256	224	936
CB6115350	1903	1360	1932	1962	255	225	937
CB6115352	1914	1367	1944	1974	254	225	938
CB6115354	1925	1375	1955	1985	254	226	939
CB6115356	1936	1383	1966	1996	253	227	940
CB6115358	1947	1391	1977	2008	252	228	942
CB6115360	1958	1399	1988	2019	251	228	943
CB6115362	1969	1407	1999	2030	250	229	944
CB6115364	1980	1414	2010	2042	249	230	945
CB6115366	1991	1422	2022	2053	249	231	946
CB6115368	2002	1430	2033	2064	248	231	948
CB6115370	2013	1438	2044	2075	247	232	949
CB6115372	2024	1446	2055	2087	246	233	950
CB6115374	2035	1454	2066	2098	245	234	951
CB6115376	2046	1462	2077	2109	244	234	952
CB6115378	2057	1469	2088	2121	244	235	953
CB6115380	2068	1477	2100	2132	243	236	955
CB6115382	2079	1485	2111	2143	242	237	956
CB6115384	2090	1493	2122	2155	241	238	957
CB6115386	2101	1501	2133	2166	240	238	958
CB6115388	2112	1509	2144	2177	239	239	959
CB6115390	2123	1516	2155	2189	239	240	961
CB6115392	2134	1524	2166	2200	238	241	962
CB6115394	2145	1532	2178	2211	237	241	963
CB6115396	2156	1540	2189	2223	236	242	964
CB6115398	2167	1548	2200	2234	235	243	965
CB6115400	2178	1556	2211	2245	234	244	966
CB6115402	2189	1563	2222	2256	234	244	968
CB6115404	2200	1571	2233	2268	233	245	969
CB6115406	2211	1579	2244	2279	232	246	970

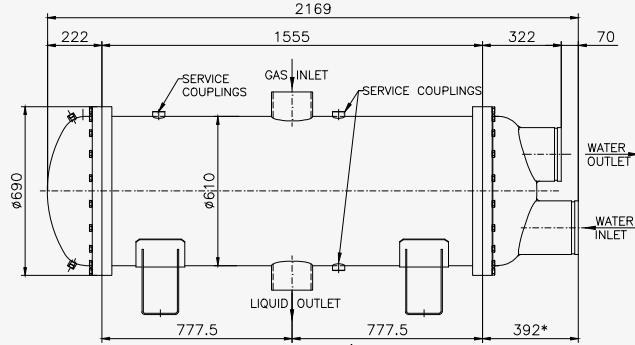
\* Please contact technical dept. at PROVIDES S.r.l. for more info

Tcond = 40°C      Water IN/OUT = 30/35°C      SC = 3 K      F.F. = 0.016m²K/kW							
CB Model	R134a Capacity kW	R407C Capacity kW	R410A Capacity kW	R22 Capacity kW	Volume gas dm³	Volume H <sub>2</sub> O dm³	Weight kg
CB6115408	2222	1587	2255	2290	231	247	971
CB6115410	2233	1595	2267	2302	230	247	972
CB6115412	2244	1603	2278	2313	229	248	974
CB6115414	2255	1610	2289	2324	229	249	975
CB6115416	2266	1618	2300	2336	228	250	976
CB6115418	2277	1626	2311	2347	227	250	977
CB6115420	2288	1634	2322	2358	226	251	978
CB6115422	2298	1642	2333	2370	225	252	979
CB6115424	2309	1650	2345	2381	224	253	981
CB6115426	2320	1657	2356	2392	224	253	982
CB6115428	2331	1665	2367	2403	223	254	983
CB6115430	2342	1673	2378	2415	222	255	984
CB6115432	2353	1681	2389	2426	221	256	985
CB6115434	2364	1689	2400	2437	220	256	987
CB6115436	2375	1697	2411	2449	219	257	988
CB6115438	2386	1704	2423	2460	219	258	989
CB6115440	2397	1712	2434	2471	218	259	990
CB6115442	2408	1720	2445	2483	217	259	991
CB6115444	2419	1728	2456	2494	216	260	992
CB6115446	2430	1736	2467	2505	215	261	994
CB6115448	2441	1744	2478	2517	214	262	995
CB6115450	2452	1751	2489	2528	214	262	996
CB6115452	2463	1759	2501	2539	213	263	997
CB6115454	2474	1767	2512	2551	212	264	998
CB6115456	2485	1775	2523	2562	211	265	1000
CB6115458	2496	1783	2534	2573	210	266	1001
CB6115460	2507	1791	2545	2584	209	266	1002
CB6115462	2518	1799	2556	2596	209	267	1003
CB6115464	2529	1806	2567	2607	208	268	1004
CB6115466	2540	1814	2579	2618	207	269	1005
CB6115468	2551	1822	2590	2630	206	269	1007
CB6115470	2562	1830	2601	2641	205	270	1008
CB6115472	2573	1838	2612	2652	204	271	1009
CB6115474	2584	1846	2623	2664	204	272	1010
CB6115476	2595	1853	2634	2675	203	272	1011
CB6115478	2606	1861	2645	2686	202	273	1012
CB6115480	2617	1869	2657	2698	201	274	1014
CB6115482	2628	1877	2668	2709	200	275	1015
CB6115484	2639	1885	2679	2720	199	275	1016
CB6115486	2650	1893	2690	2732	199	276	1017
CB6115488	2661	1900	2701	2743	198	277	1018
CB6115490	2672	1908	2712	2754	197	278	1020

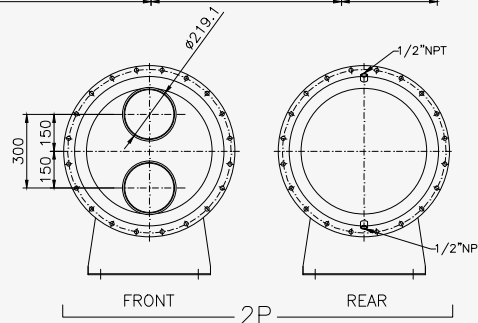
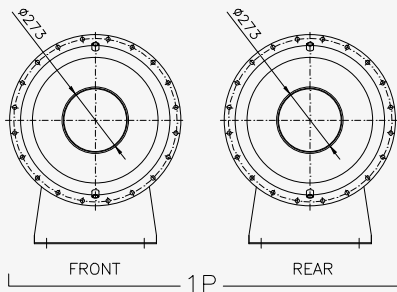
\* Please contact technical dept. at PROVIDES S.r.l. for more info

Tcond = 40°C      Water IN/OUT = 30/35°C      SC = 3 K      F.F. = 0.016m²K/kW							
CB Model	R134a Capacity kW	R407C Capacity kW	R410A Capacity kW	R22 Capacity kW	Volume gas dm³	Volume H <sub>2</sub> O dm³	Weight kg
CB6115492	2683	1916	2723	2765	196	278	1021
CB6115494	2693	1924	2734	2777	195	279	1022
CB6115496	2704	1932	2746	2788	194	280	1023
CB6115498	2715	1940	2757	2799	194	281	1024
CB6115500	2726	1947	2768	2811	193	281	1025
CB6115502	2737	1955	2779	2822	192	282	1027
CB6115504	2748	1963	2790	2833	191	283	1028
CB6115506	2759	1971	2801	2845	190	284	1029
CB6115508	2770	1979	2812	2856	189	284	1030
CB6115510	2781	1987	2824	2867	189	285	1031
CB6115512	2792	1994	2835	2879	188	286	1033
CB6115514	2803	2002	2846	2890	187	287	1034
CB6115516	2814	2010	2857	2901	186	287	1035
CB6115518	2825	2018	2868	2913	185	288	1036
CB6115520	2836	2026	2879	2924	184	289	1037
CB6115522	2847	2034	2890	2935	184	290	1038
CB6115524	2858	2041	2902	2946	183	290	1040
CB6115526	2869	2049	2913	2958	182	291	1041
CB6115528	2880	2057	2924	2969	181	292	1042

\* Please contact technical dept. at PROVIDES S.r.l. for more info

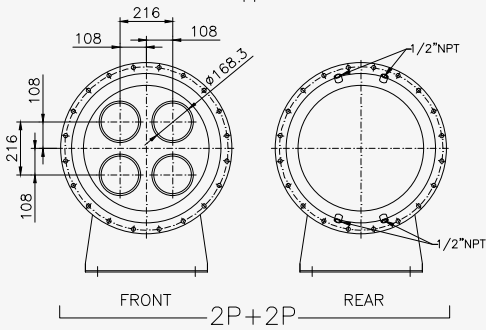


* thk Front header	
1P FRONT AND REAR	322mm
2P	392mm
2P+2P	392mm



ALTERNATIVES FOR SERVICE COUPLING

- COUPLING 1/2\"/>
- COUPLING 3/8\"/>
- COUPLING 1/4\"/>
- COUPLING 1\"/>



ALTERNATIVES FOR GAS INLET/ LIQUID OUTLET SOLUTIONS

