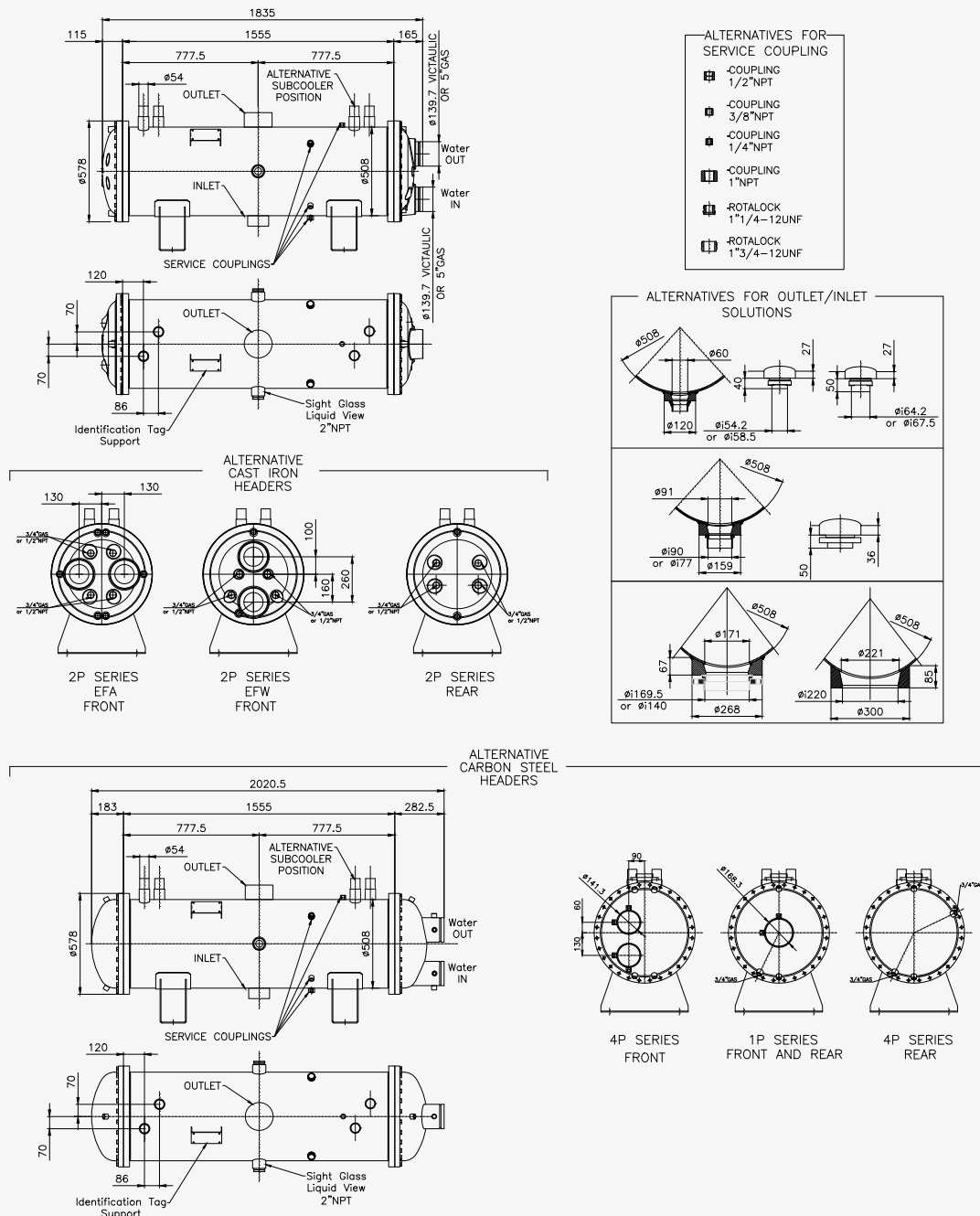


Tevap = 5°C		Water IN/OUT = 12/7°C		F.F. = 0.016m²K/kW	
EF Model	R134a Capacity kW	R22 Capacity kW	Volume gas dm³	Volume H ₂ O dm³	Weight kg
EF5015058	200	235	265	73	476
EF5015060	207	243	264	74	477
EF5015062	213	251	263	75	479
EF5015064	220	259	262	75	480
EF5015066	226	267	262	76	481
EF5015068	233	275	261	77	482
EF5015070	240	282	260	78	484
EF5015072	246	290	259	78	485
EF5015074	253	298	258	79	486
EF5015076	259	306	257	80	488
EF5015078	266	314	256	81	489
EF5015080	273	322	256	81	490
EF5015082	279	330	255	82	491
EF5015084	286	338	254	83	493
EF5015086	292	346	253	84	494
EF5015088	299	354	252	84	495
EF5015090	306	361	251	85	496
EF5015092	312	369	250	86	498
EF5015094	319	377	250	87	499
EF5015096	325	385	249	87	500
EF5015098	332	393	248	88	502
EF5015100	339	401	247	89	503
EF5015102	345	409	246	90	504
EF5015104	352	417	245	90	505
EF5015106	358	425	244	91	507
EF5015108	365	433	244	92	508
EF5015110	372	440	243	93	509
EF5015112	378	448	242	94	511
EF5015114	385	456	241	94	512
EF5015116	391	464	240	95	513
EF5015118	398	472	239	96	514
EF5015120	405	480	238	97	516
EF5015122	411	488	237	97	517
EF5015124	418	496	237	98	518
EF5015126	424	504	236	99	520
EF5015128	431	512	235	100	521
EF5015130	438	519	234	100	522
EF5015132	444	527	233	101	523
EF5015134	451	535	232	102	525
EF5015136	457	543	231	103	526
EF5015138	464	551	231	103	527
EF5015140	471	559	230	104	528

* Please contact technical dept. at PROVIDES S.r.l. for more info

	Tevap = 5°C	Water IN/OUT = 12/7°C	F.F. = 0.016m ² /K/w		
EF Model	R134a Capacity kW	R22 Capacity kW	Volume gas dm ³	Volume H ₂ O dm ³	Weight kg
EF5015142	477	567	229	105	530
EF5015144	484	575	228	106	531
EF5015146	490	583	227	106	532
EF5015148	497	591	226	107	534
EF5015150	504	598	225	108	535
EF5015152	510	606	225	109	536
EF5015154	517	614	224	109	537
EF5015156	523	622	223	110	539
EF5015158	530	630	222	111	540

* Please contact technical dept. at PROVIDES S.r.l. for more info

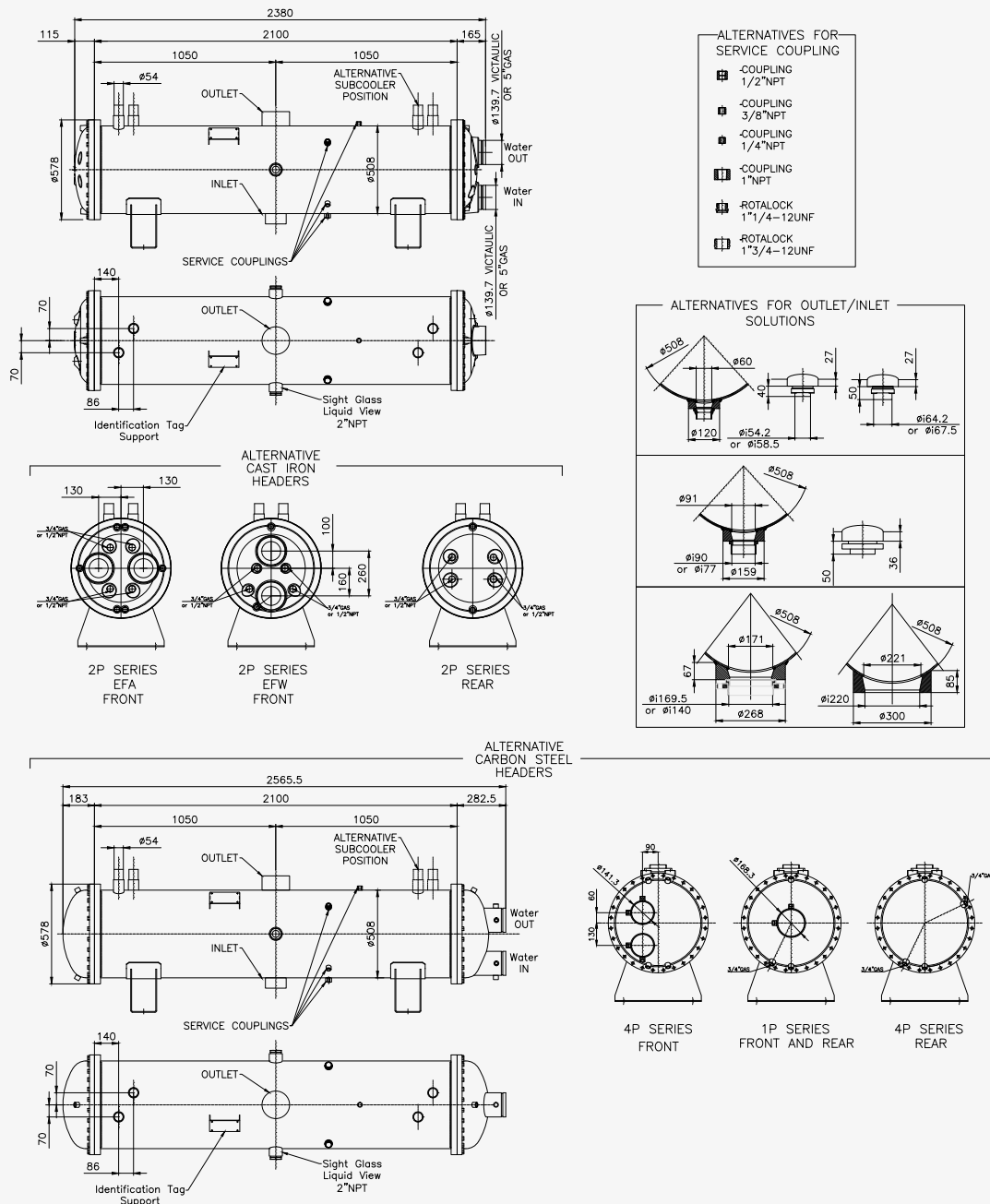


	Tevap = 5°C		Water IN/OUT = 12/7°C		F.F. = 0.016m²K/kW	
EF Model	R134a Capacity kW	R22 Capacity kW	Volume gas dm³	Volume H ₂ O dm³	Weight kg	
EF5021058	325	384	355	81	551	
EF5021060	336	396	354	82	553	
EF5021062	347	409	353	83	555	
EF5021064	357	422	351	84	557	
EF5021066	368	434	350	85	558	
EF5021068	379	447	349	86	560	
EF5021070	390	460	348	87	562	
EF5021072	401	473	347	88	564	
EF5021074	411	485	345	89	566	
EF5021076	422	498	344	90	568	
EF5021078	433	511	343	91	569	
EF5021080	444	524	342	92	571	
EF5021082	455	536	341	93	573	
EF5021084	465	549	339	95	575	
EF5021086	476	562	338	96	577	
EF5021088	487	575	337	97	579	
EF5021090	498	587	336	98	580	
EF5021092	509	600	335	99	582	
EF5021094	519	613	333	100	584	
EF5021096	530	626	332	101	586	
EF5021098	541	638	331	102	588	
EF5021100	552	651	330	103	590	
EF5021102	563	664	329	104	591	
EF5021104	573	677	327	105	593	
EF5021106	584	689	326	106	595	
EF5021108	595	702	325	107	597	
EF5021110	606	715	324	108	599	
EF5021112	617	728	323	109	601	
EF5021114	627	740	321	110	603	
EF5021116	638	753	320	111	604	
EF5021118	649	766	319	112	606	
EF5021120	660	779	318	113	608	
EF5021122	671	791	317	114	610	
EF5021124	681	804	315	115	612	
EF5021126	692	817	314	116	614	
EF5021128	703	830	313	117	615	
EF5021130	714	842	312	118	617	
EF5021132	725	855	311	119	619	
EF5021134	735	868	309	121	621	
EF5021136	746	881	308	122	623	
EF5021138	757	893	307	123	625	
EF5021140	768	906	306	124	626	

* Please contact technical dept. at PROVIDES S.r.l. for more info

	Tevap = 5°C		Water IN/OUT = 12/7°C		F.F. = 0.016m ² K/kW	
EF Model	R134a Capacity kW	R22 Capacity kW	Volume gas dm ³	Volume H ₂ O dm ³	Weight kg	
EF5021142	779	919	305	125	628	
EF5021144	789	931	303	126	630	
EF5021146	800	944	302	127	632	
EF5021148	811	957	301	128	634	
EF5021150	822	970	300	129	636	
EF5021152	833	982	299	130	637	
EF5021154	843	995	297	131	639	
EF5021156	854	1008	296	132	641	
EF5021158	865	1021	295	133	643	

* Please contact technical dept. at PROVIDES S.r.l. for more info

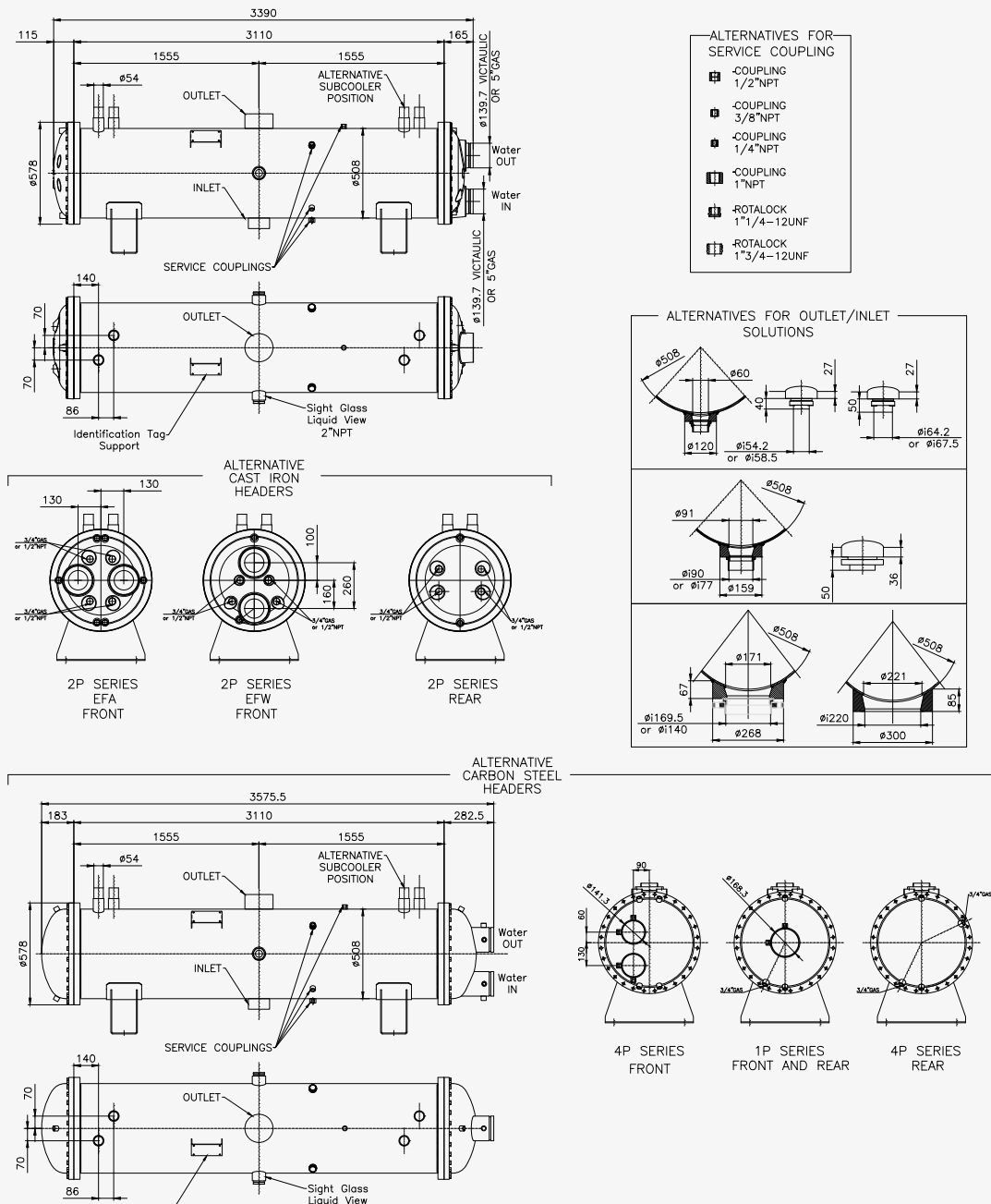


	Tevap = 5°C		Water IN/OUT = 12/7°C		F.F. = 0.016m²K/kW	
EF Model	R134a Capacity kW	R22 Capacity kW	Volume gas dm³	Volume H ₂ O dm³	Weight kg	
EF5031058	415	490	531	96	679	
EF5031060	429	506	529	98	682	
EF5031062	443	523	528	99	685	
EF5031064	457	539	526	101	688	
EF5031066	471	555	524	102	690	
EF5031068	485	572	522	104	693	
EF5031070	498	588	521	105	696	
EF5031072	512	605	519	107	699	
EF5031074	526	621	517	108	702	
EF5031076	540	637	515	110	705	
EF5031078	554	654	514	111	707	
EF5031080	568	670	512	113	710	
EF5031082	582	687	510	114	713	
EF5031084	596	703	508	116	716	
EF5031086	610	719	507	117	719	
EF5031088	624	736	505	119	722	
EF5031090	637	752	503	120	724	
EF5031092	651	769	501	122	727	
EF5031094	665	785	500	123	730	
EF5031096	679	801	498	125	733	
EF5031098	693	818	496	126	736	
EF5031100	707	834	494	128	739	
EF5031102	721	851	493	129	741	
EF5031104	735	867	491	131	744	
EF5031106	749	883	489	132	747	
EF5031108	763	900	488	134	750	
EF5031110	776	916	486	135	753	
EF5031112	790	933	484	137	756	
EF5031114	804	949	482	138	759	
EF5031116	818	965	481	140	761	
EF5031118	832	982	479	141	764	
EF5031120	846	998	477	143	767	
EF5031122	860	1015	475	144	770	
EF5031124	874	1031	474	146	773	
EF5031126	888	1047	472	147	776	
EF5031128	902	1064	470	149	778	
EF5031130	915	1080	468	150	781	
EF5031132	929	1097	467	152	784	
EF5031134	943	1113	465	153	787	
EF5031136	957	1129	463	155	790	
EF5031138	971	1146	461	156	793	
EF5031140	985	1162	460	158	795	

* Please contact technical dept. at PROVIDES S.r.l. for more info

	Tevap = 5°C	Water IN/OUT = 12/7°C	F.F. = 0.016m ² K/kW		
EF Model	R134a Capacity kW	R22 Capacity kW	Volume gas dm ³	Volume H ₂ O dm ³	Weight kg
EF5031142	999	1179	458	159	798
EF5031144	1013	1195	456	161	801
EF5031146	1027	1211	454	162	804
EF5031148	1041	1228	453	164	807
EF5031150	1054	1244	451	165	810
EF5031152	1068	1261	449	167	812
EF5031154	1082	1277	447	168	815
EF5031156	1096	1293	446	170	818
EF5031158	1110		444		821

* Please contact technical dept. at PROVIDES S.r.l. for more info



Tevap = 5°C		Water IN/OUT = 12/7°C		F.F. = 0.016m²K/kW	
EF Model	R134a Capacity kW	R22 Capacity kW	Volume gas dm³	Volume H ₂ O dm³	Weight kg
EF5042058	670	791	725	112	830
EF5042060	693	817	723	114	834
EF5042062	715	844	720	116	838
EF5042064	738	871	718	118	842
EF5042066	760	897	715	120	846
EF5042068	783	924	713	122	850
EF5042070	806	951	711	124	854
EF5042072	828	977	708	127	858
EF5042074	851	1004	706	129	862
EF5042076	873	1031	703	131	866
EF5042078	896	1057	701	133	870
EF5042080	919	1084	699	135	874
EF5042082	941	1111	696	137	878
EF5042084	964	1137	694	139	882
EF5042086	986	1164	691	141	886
EF5042088	1009	1191	689	143	890
EF5042090	1032	1217	687	145	894
EF5042092	1054	1244	684	147	898
EF5042094	1077	1271	682	149	902
EF5042096	1099	1297	679	152	906
EF5042098	1122	1324	677	154	910
EF5042100	1145	1351	675	156	914
EF5042102	1167	1377	672	158	918
EF5042104	1190	1404	670	160	922
EF5042106	1212	1431	667	162	926
EF5042108	1235	1457	665	164	930
EF5042110	1258	1484	663	166	934
EF5042112	1280	1511	660	168	938
EF5042114	1303	1537	658	170	942
EF5042116	1325	1564	655	172	946
EF5042118	1348	1591	653	174	950
EF5042120	1371	1617	651	176	954
EF5042122	1393	1644	648	179	958
EF5042124	1416	1671	646	181	962
EF5042126	1438	1697	643	183	966
EF5042128	1461	1724	641	185	970
EF5042130	1484	1751	639	187	974
EF5042132	1506	1777	636	189	978
EF5042134	1529	1804	634	191	982
EF5042136	1551	1831	631	193	986
EF5042138	1574	1857	629	195	990
EF5042140	1597	1884	627	197	994

* Please contact technical dept. at PROVIDES S.r.l. for more info

	Tevap = 5°C	Water IN/OUT = 12/7°C	F.F. = 0.016m ² K/kW		
EF Model	R134a Capacity kW	R22 Capacity kW	Volume gas dm ³	Volume H ₂ O dm ³	Weight kg
EF5042142	1619	1911	624	199	998
EF5042144	1642	1937	622	201	1002
EF5042146	1664	1964	619	204	1006
EF5042148	1687	1991	617	206	1010
EF5042150	1710	2017	615	208	1014
EF5042152	1732	2044	612	210	1018
EF5042154	1755	2071	610	212	1022
EF5042156	1777	2097	607	214	1026
EF5042158	1800	2124	605	216	1030

* Please contact technical dept. at PROVIDES S.r.l. for more info

